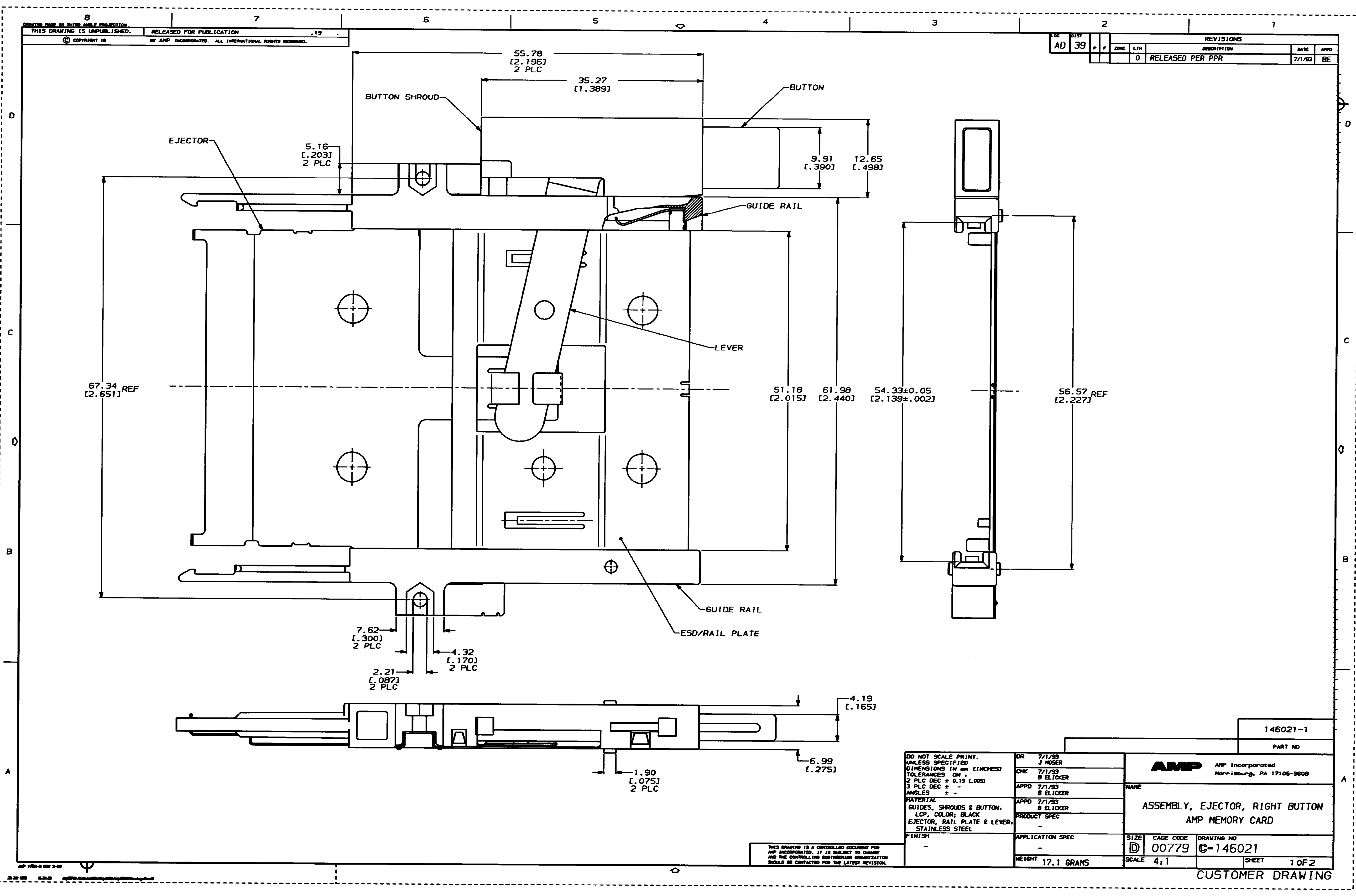


LOC		DIST		ZONE		LTR		REVISIONS		DATE	APPD
AD	39							0	RELEASED PER PPR	7/1/93	BE



THIS DRAWING IS A CONTROLLED DOCUMENT FOR AMP INCORPORATED. IT IS SUBJECT TO CHANGE AND THE CONTROLLING ENGINEERING ORGANIZATION SHOULD BE CONTACTED FOR THE LATEST REVISION.

DO NOT SCALE PRINT.  
 UNLESS SPECIFIED  
 DIMENSIONS IN mm (INCHES)  
 TOLERANCES ON:  
 2 PLC DEC ± 0.13 (.005)  
 3 PLC DEC ± -  
 ANGLES ± -  
 MATERIAL  
 GUIDES, SHROUDS & BUTTON,  
 LCP, COLOR, BLACK  
 EJECTOR, RAIL PLATE & LEVER,  
 STAINLESS STEEL  
 FINISH  
 -

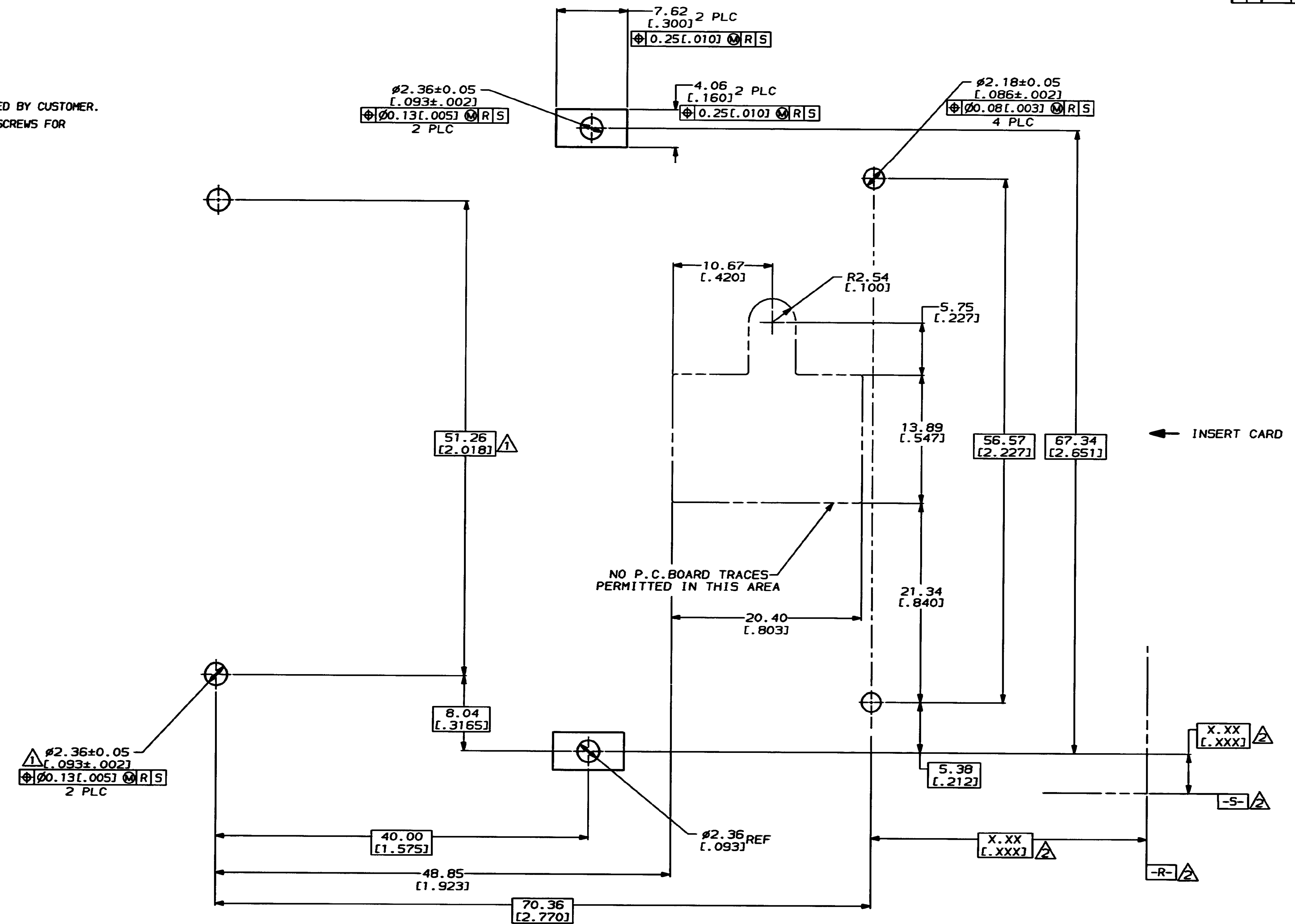
DR	7/1/93	J MOSER
CHK	7/1/93	B ELICKER
APPD	7/1/93	B ELICKER
APPD	7/1/93	B ELICKER
PRODUCT SPEC	-	
APPLICATION SPEC	-	
WEIGHT	17.1 GRAMS	

AMP Incorporated Harrisburg, PA 17105-3608		
NAME ASSEMBLY, EJECTOR, RIGHT BUTTON AMP MEMORY CARD		
SIZE D	CAGE CODE 00779	DRAWING NO C-146021
SCALE 4:1	SHEET 1 OF 2	

146021-1  
 PART NO

LOG		DIST		REVISONS		DATE	APPD
AD	39	P	F	ZONE	LTR	DESCRIPTION	
				0		SEE SHEET ONE	

▲ HEADER MOUNTING HOLE LOCATIONS  
 ▲ DATUMS & BASIC DIMENSIONS ESTABLISHED BY CUSTOMER.  
 3. ASSEMBLY REQUIRES USE OF 2-SIZE 2M SCREWS FOR FASTENING TO PRINTED CIRCUIT BOARD.



RECOMMENDED BOARD LAYOUT

DO NOT SCALE PRINT.  
 UNLESS SPECIFIED  
 DIMENSIONS IN mm (INCHES)  
 TOLERANCES ON:  
 2 PLC DEC ± 0.13 (.005)  
 3 PLC DEC ± -  
 ANGLES ± -  
 MATERIAL -  
 FINISH -  
 WEIGHT -

DR	7/1/93
J WISER	
CHK	7/1/93
B ELICKER	
APPD	7/1/93
B ELICKER	
PRODUCT SPEC	
APPLICATION SPEC	

PART NO	
<b>AMP</b> AMP Incorporated Harrisburg, PA 17105-3608	
NAME ASSEMBLY, EJECTOR, RIGHT BUTTON, AMP MEMORY CARD	
SIZE D	CAGE CODE 00779
SCALE 4:1	DRAWING NO C-146021
SHEET 20F2	

THIS DRAWING IS A CONTROLLED DOCUMENT FOR AMP INCORPORATED. IT IS SUBJECT TO CHANGE AND THE CONTROLLING ENGINEERING ORGANIZATION SHOULD BE CONTACTED FOR THE LATEST REVISION.